

MODELS: LF3-15XX-YY, LF3-30XX-YY, LF3-50XX-YY,
LF3-80XX-YY, LF3-100XX-YY, LF3-150XX-YY, LF3-220XX-YY, LF3-300XX-YY

1. Introduction

- This LED Flood light uses the latest solid state lighting technology for long life, low maintenance, and high efficiency.
- An internal power-factor-corrected switch-mode supply allows it to be used from any nominal 100-277V, 60Hz AC supply without any variation in light output.
- Suitable for use in the following locations:
Ambient Temp: -20~+40°C
Wet Locations

Note: Save these instructions for future reference.

Warning:

To avoid the risk of fire, explosion, or electric shock, this product should be installed, inspected, and maintained by a qualified electrician only, in accordance with all applicable electrical codes.

To avoid electric shock:

Be certain electrical power is OFF before and during installation and maintenance.

Luminaire must be connected to a wiring system with an equipment-grounding conductor.

For supply connections use wire rated for at least 100°C

2. Surface mount with knuckle

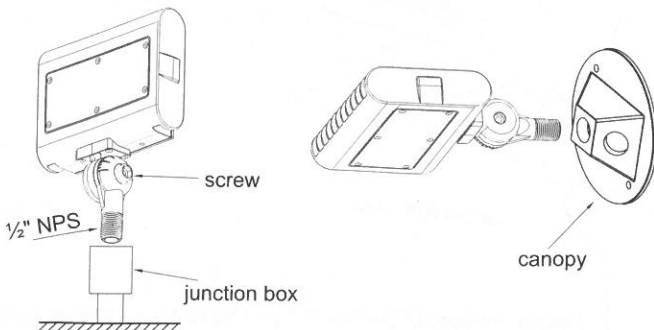
The fixture with a 1/2" NPS knuckle is suitable for mount with the junction box on the ground, or with a canopy on the wall.

a) For ground mount

1. Put the wires into the hole of the **junction box**, screw the fixture into the hole.
2. Connect the wires properly in the junction box.
3. Loose the **screws** on the knuckle, adjust the fixture to a suitable orientation, then tighten the screws.

b) For wall mount

1. A **canopy** (not provided) should be mounted first to cover the junction box.
2. Connect the wires properly and push the wires back into the junction box in the wall.
3. Screw the fixture into the canopy.
4. Loose the **screws** on the knuckle, adjust the fixture to a suitable orientation, then tighten the screws.

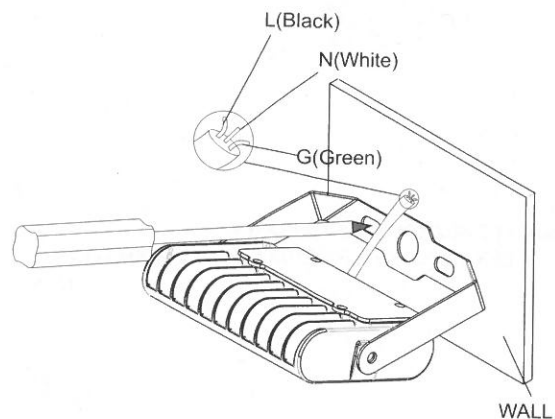


* No Serviceable parts for LF3-15XX-YY, LF3-30XX-YY, LF3-50XX-YY,

3. Surface mount with bracket

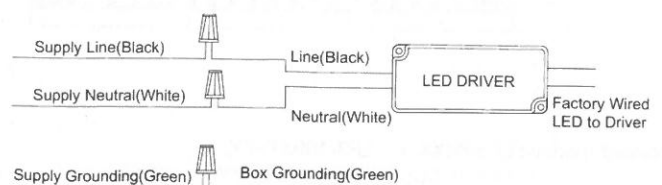
Please **DON'T** remove the bracket from the fixture.

1. Connect the wires properly.
2. Screw the fixture to the wall by screws.

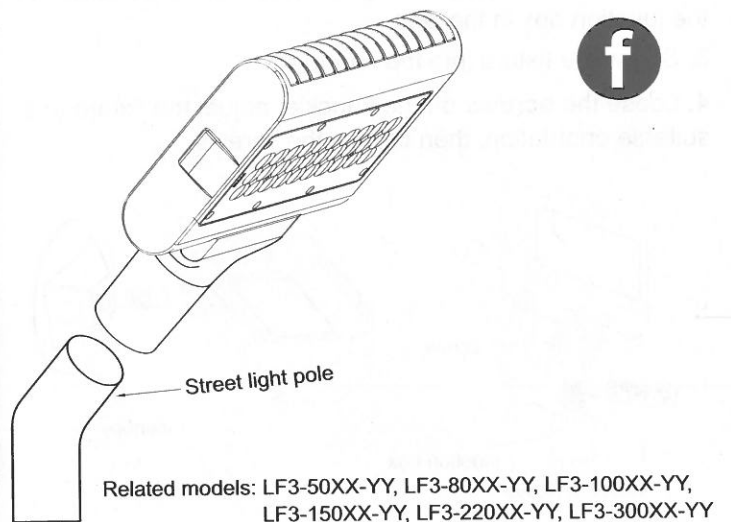
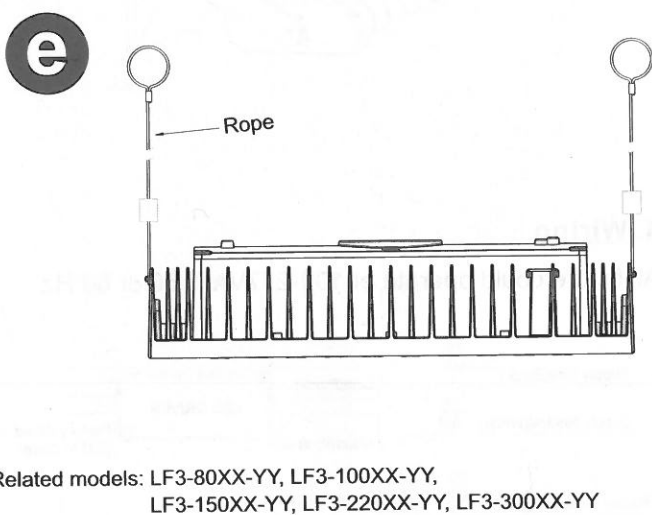
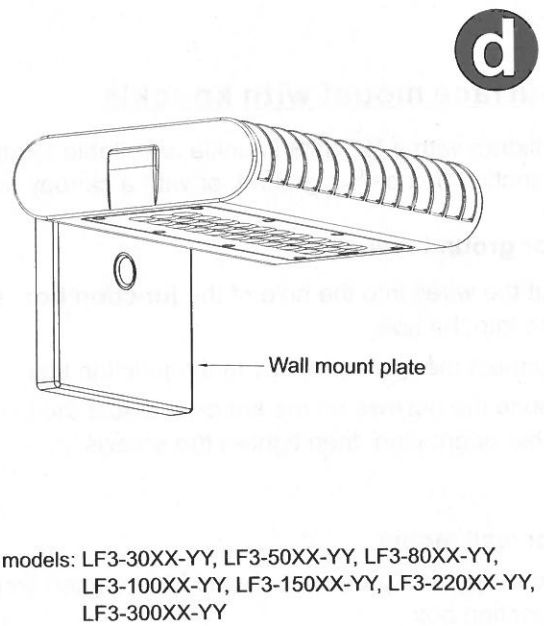
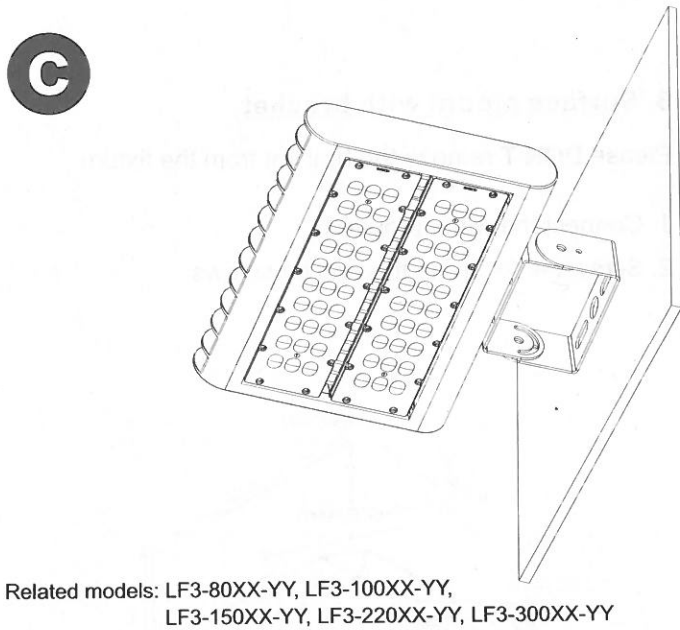
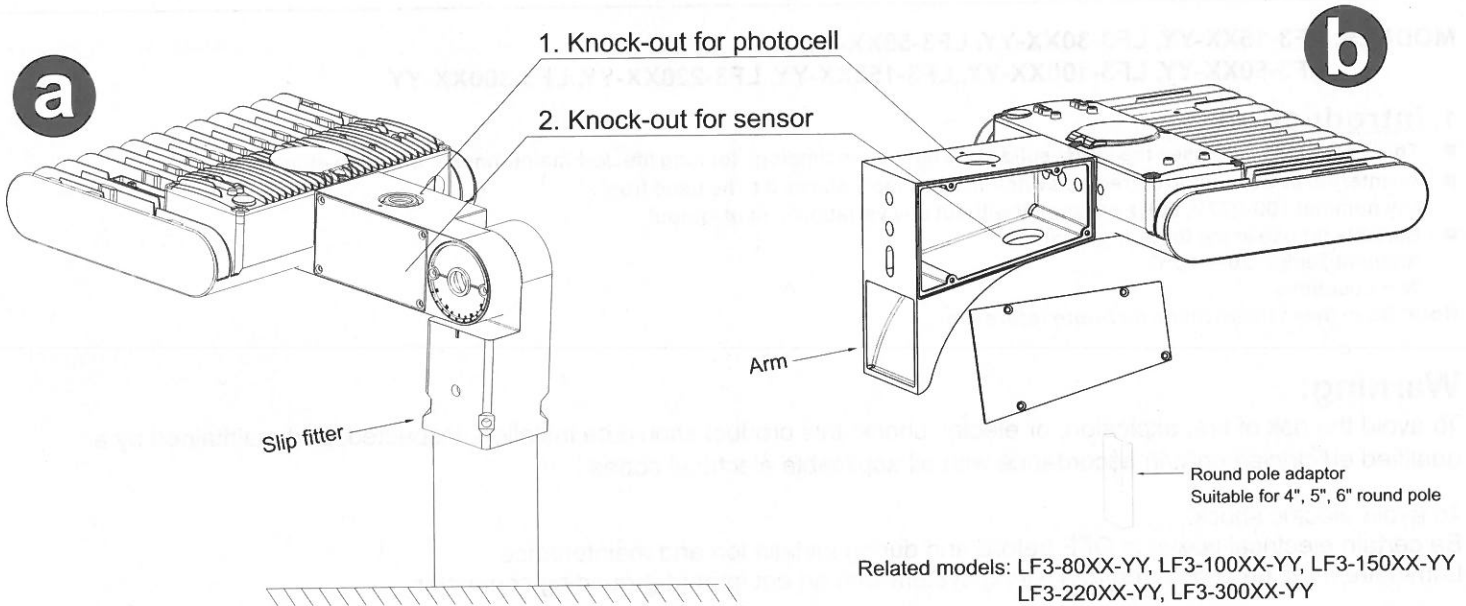


4. Wiring

All fixture could operate at 100-277VAC, 50 or 60 Hz



5. More installation option



Note: The drivers from 100W to 300W are dimmable, compatible with 0-10V, triac, PWM dimmer.